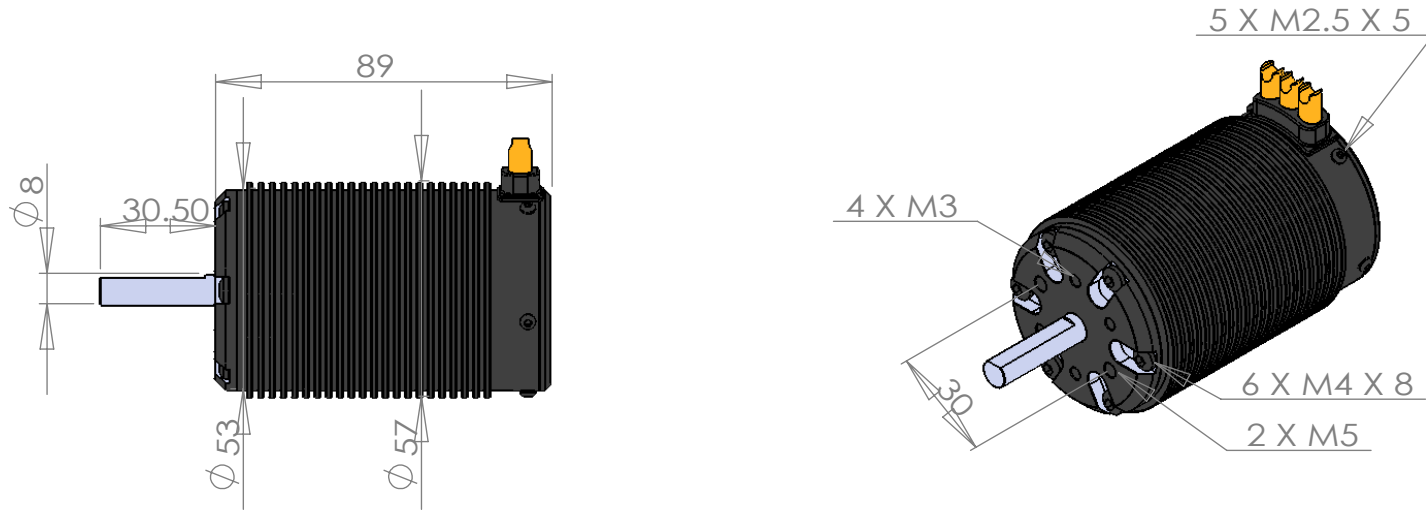


TENSHOCK X501S 8-POLE BL MOTOR



Specifications	Weight (g)	RPM/V [Kv]	Idle Current [IO] 10V (A)	Resistance [Ri]	Max Voltage (V)	Max Amps (A)	Max Power (W)	POLE
X501S/6Y	700	1110	2.0	7.5	34	120	3500	8
X501S/7Y	700	960	1.7	10.1	40	100	3500	8
X501S/8Y	700	840	1.4	12.4	45	85	3500	8
X501S/9Y	700	750	1.2	15.1	50	75	3500	8